

Octacell phone booths

octacell

Soundproof workrooms
that scale.



What's Octacell?



octacell

Scalable workrooms with **industry-leading** sound insulation



All Octacell spaces are made from the same elements



Fully modular, with customizable colors, materials and layout



A sound-insulated space for focused work, calls and confidential conversations



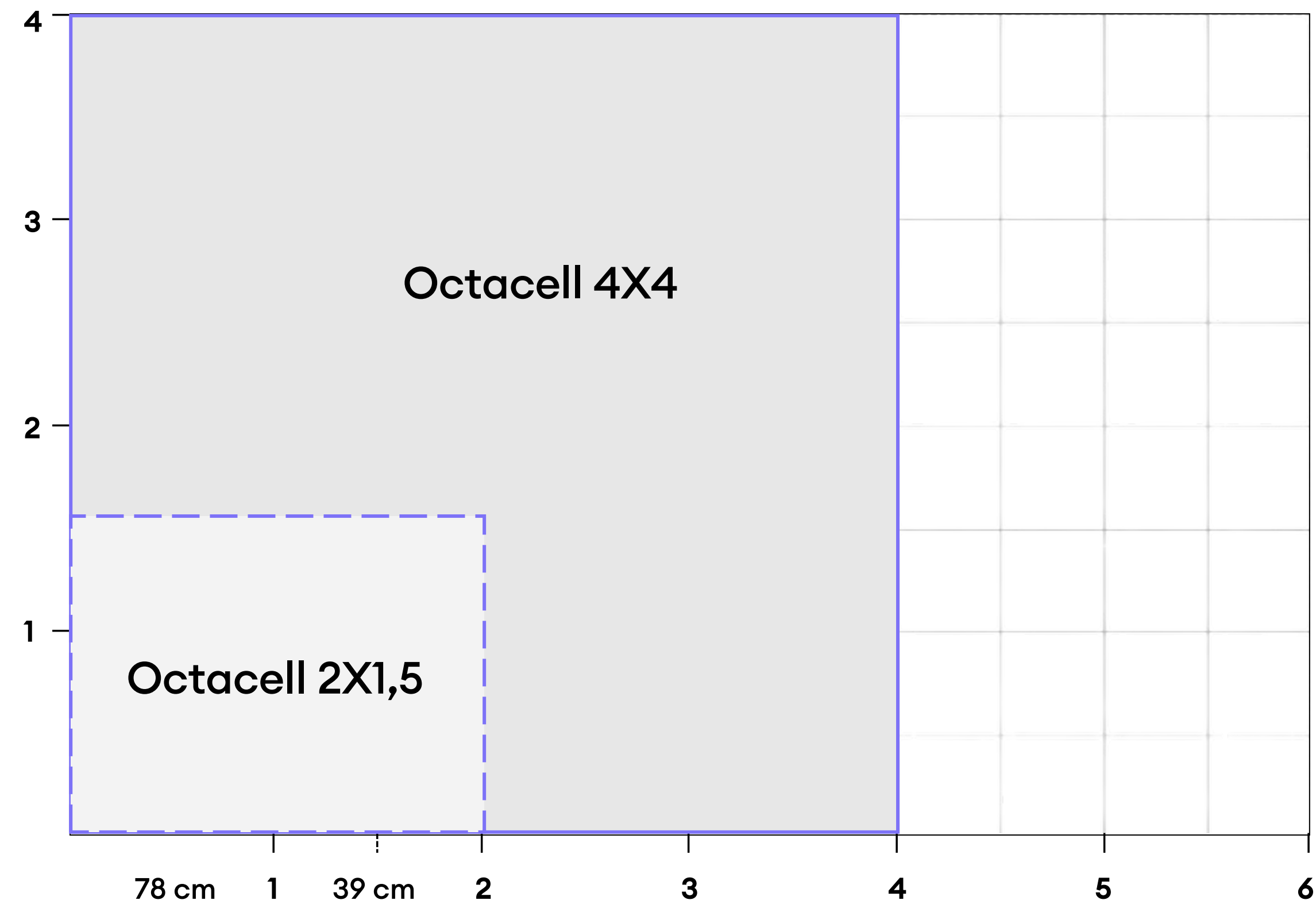
Efficient and quiet ventilation



Designed and manufactured in Finland

Sizes for different needs

The element structure makes it easy to size the space for different uses and floor plans.



octacell



Built to **scale** over time

The Octacell rooms can be modified, expanded and relocated even after installation.



1. Choose the right fit

Start with a solution that supports your current way of working.

2. Modify it later

The room can be resized or divided as requirements change. The materials and finishes can also be updated later.

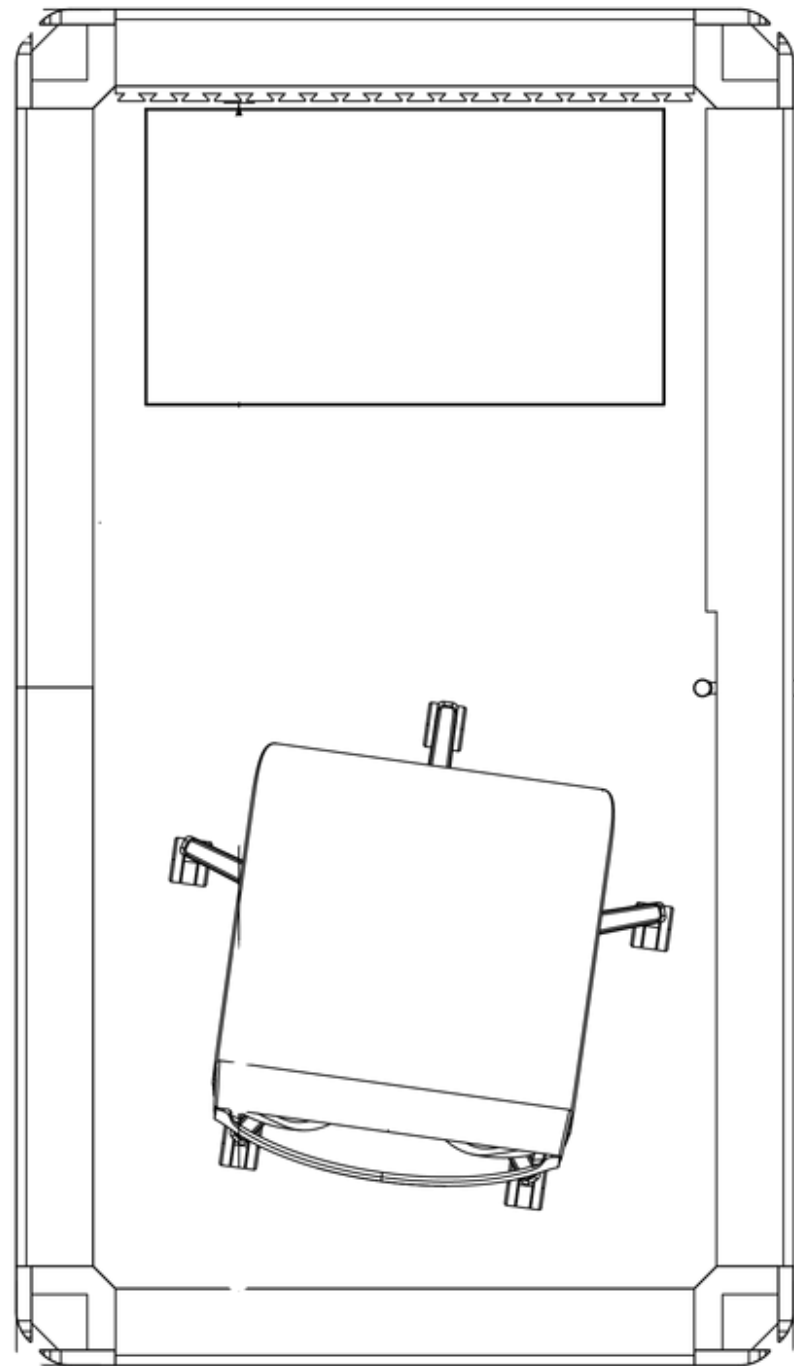
3. Move to a new office

If your office moves, the Octacell room can be relocated to the new address.

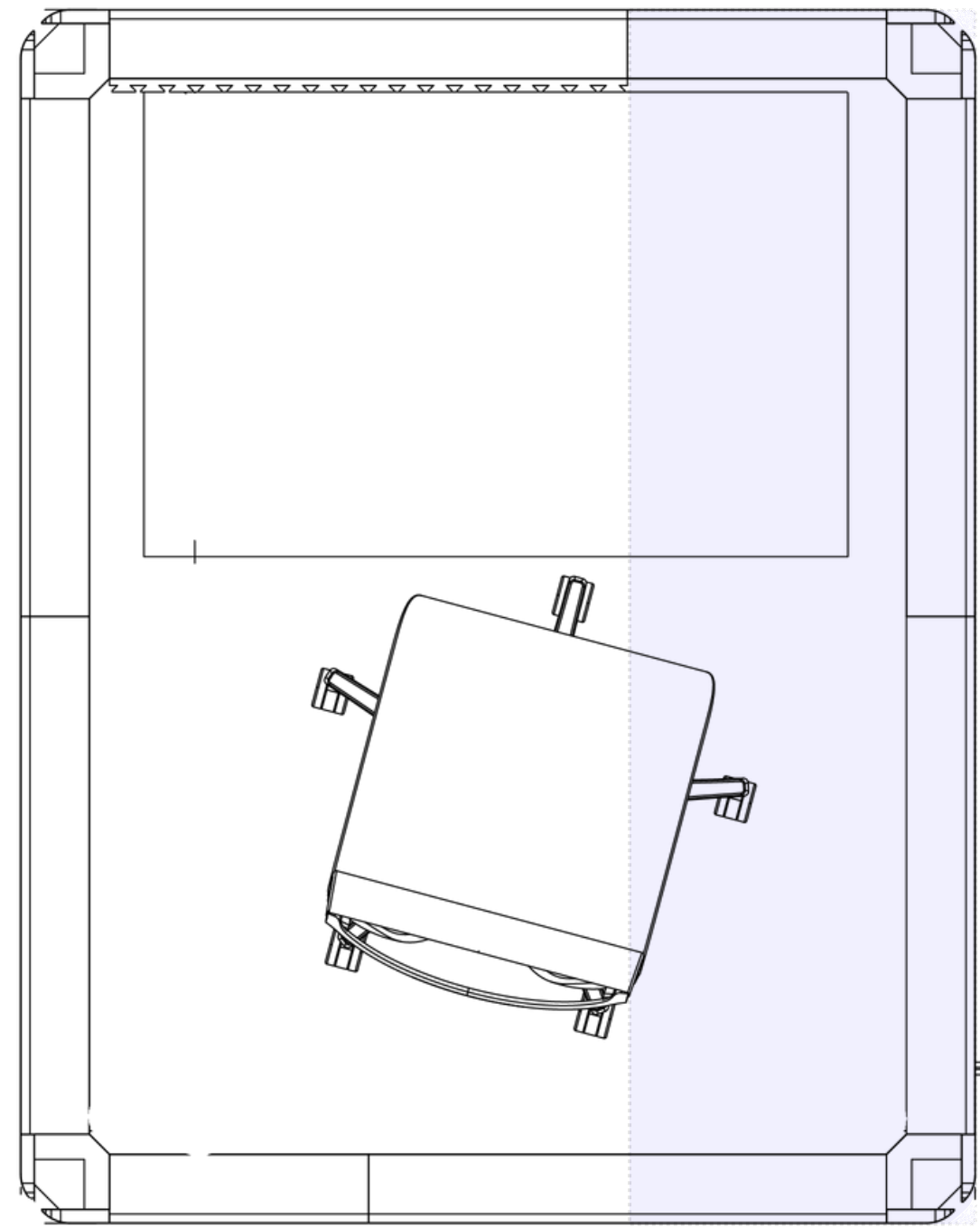
A more exact fit

In addition to standard sizes, Octacell rooms can be built with half-size elements.

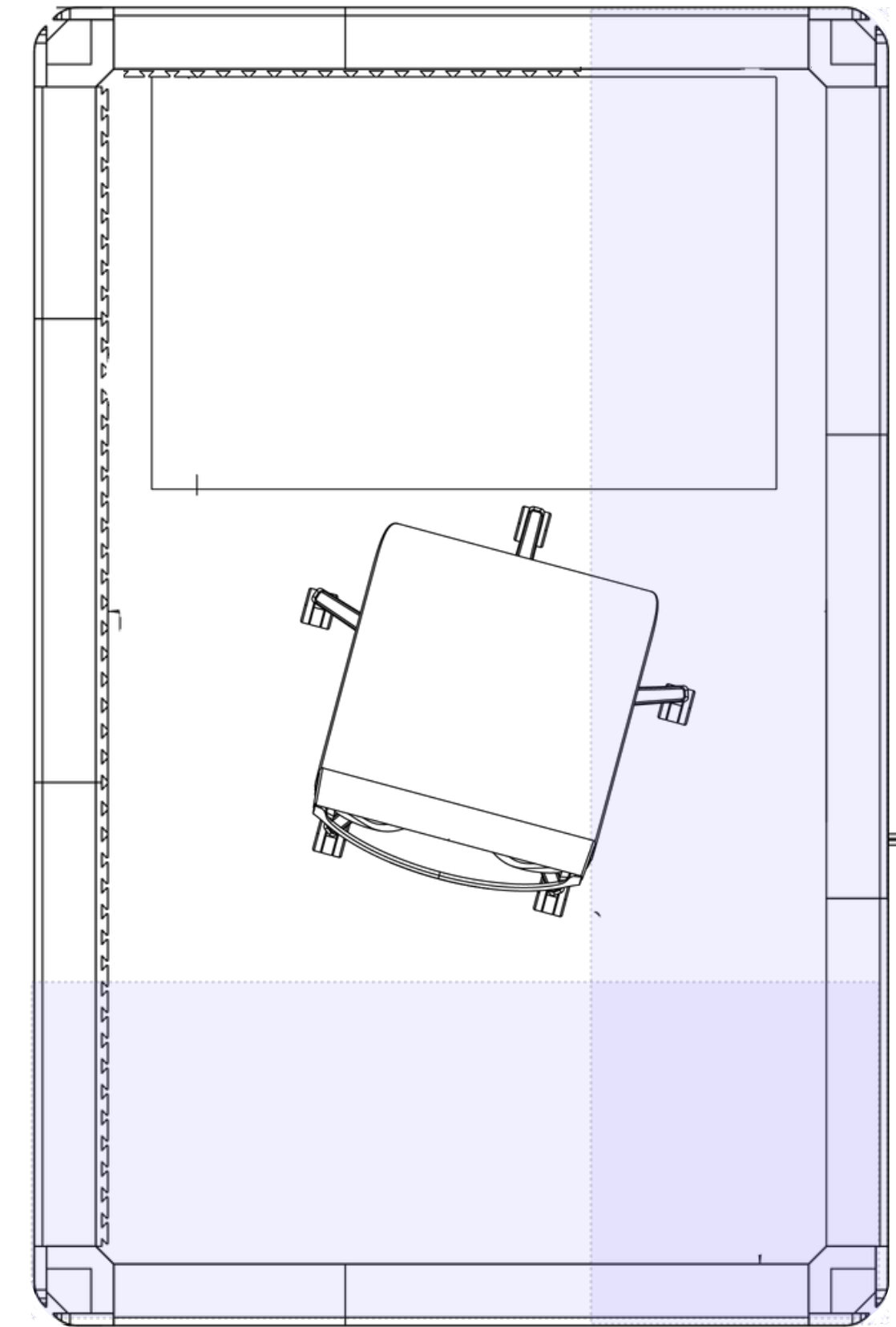
Octacell 2X1



Octacell 2X1,5



Octacell 2,5X1,5

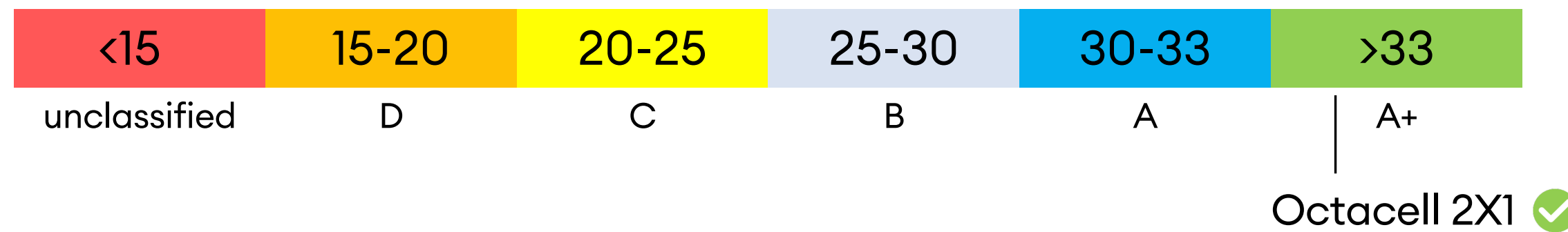


Industry-leading sound insulation – tested and proven

Measurement standard: ISO 23351-1:2020

33,1 dB

Class A+



Determination of speech level reduction applying the methods of ISO 23351-1:2020 for field testing

Speech level reduction $D_{S,A}$ (field) 33,1 dB

Calculated based on one-third octave band field measurements.

The results are only valid for the tested specimen configuration. Changes in size, geometry, or materials may lead to significant changes in reported results.

SITOWISE

+358 20 7118 590
www.helmaki.fi • www.sitowise.com

octacell

Measurement standard: ISO 16283-1

$D_{nT,w}$ [dB] = 44 dB

3.2 Results

Results for standardized level difference are listed in table 2 below.

Table 2. Measurement results of standardized level difference.

No.	Horizontal / Vertical	Source room	Receiving room	$D_{nT,w}$ [dB]
1	H	Office space	Octacell 4x4 with a sliding glass door	44

The results are only valid for the tested specimen configuration. Changes in size, geometry, or materials may lead to significant changes in measured results.



This document may only be presented or published in its entirety with the appendix.

SITOWISE AKUSTIIKKA
sitowise.com/akustiikka
020 7118 590

$R'w$ [dB] = 41 dB

3.2 Results

Results for apparent sound reduction index are listed in table 2 below.

Table 2. Measurement results of of apparent sound reduction index.

No.	Horizontal / Vertical	Source room	Receiving room	$R'w$ [dB]
1	H	Office space	Octacell 4x4 with a sliding glass door	41

The results are only valid for the tested specimen configuration. Changes in size, geometry, or materials may lead to significant changes in measured results.



This document may only be presented or published in its entirety with the appendix.

SITOWISE AKUSTIIKKA
sitowise.com/akustiikka
020 7118 590

Standard equipment

Exterior



Water-based white paint

Interior



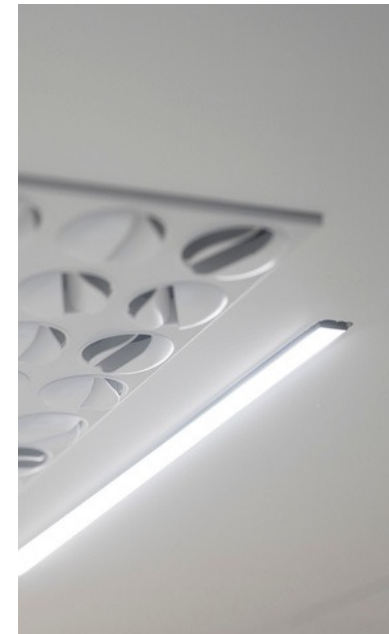
Strip panel



Acoustic walls



Carpet floor



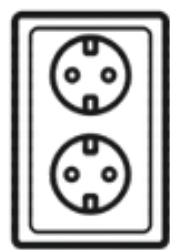
Painted ceiling

Technology



Adjustable ventilation

Mechanical input and exhaust air



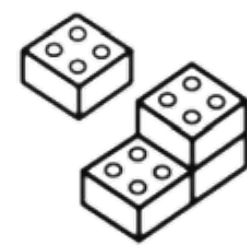
Power outlets

Outlets can be placed according to your needs



Adjustable LED lighting

Energy-efficient lighting



Modular design

Portable and convertible in one day



Additional equipment

Structural options



150 mm

Ceiling height extension

The unit can be elevated by 150 mm, increasing interior height up to 2200 mm.



Privacy solutions for glass surfaces

Glass surfaces can be fitted with privacy films and optional pleated blinds.



Locking mechanisms

Supports various locking systems and optional access surveillance solutions.



Fire suppression

Automated and independent fire suppression system.

Interior & technology



Furniture

Our spaces can be freely equipped with the furniture of your choosing.



Audiovisual equipment

The rooms can be equipped with displays, reservation systems, integrated face lighting, and video conferencing solutions.



Materials & finishes

Fully customizable
inside and out

Create a workroom that
fits your space seamlessly.

Exterior finishes

Wood veneers



Oak

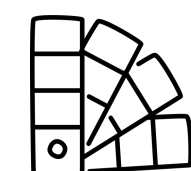


Birch

Painted surfaces (RAL)



Standard color



All RAL colors available

octacell

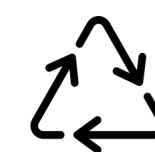
Interior upholstery colors



Standard color



Martindale > 100 000
High durability
for demanding use.



Recycled wool
A responsible choice
of material.



Explore the full collection at
nevotex.com

Color combinations

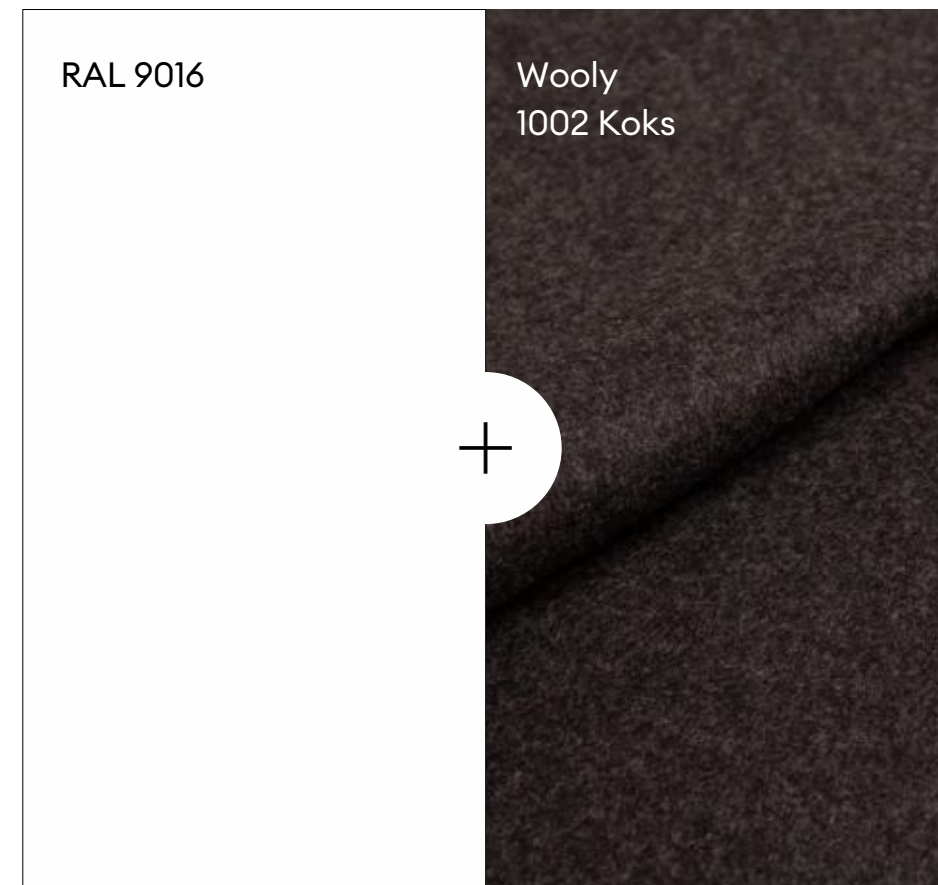
Examples of color combinations where materials and tones work naturally together.



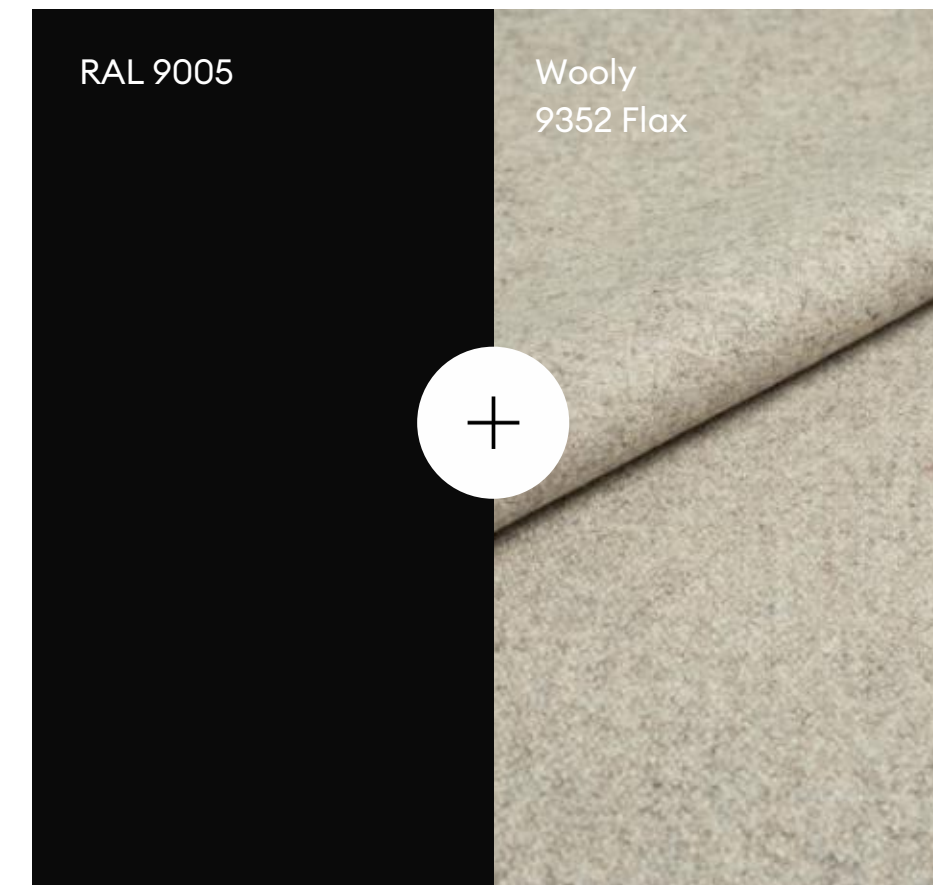
Recycled wool
A responsible choice of material.



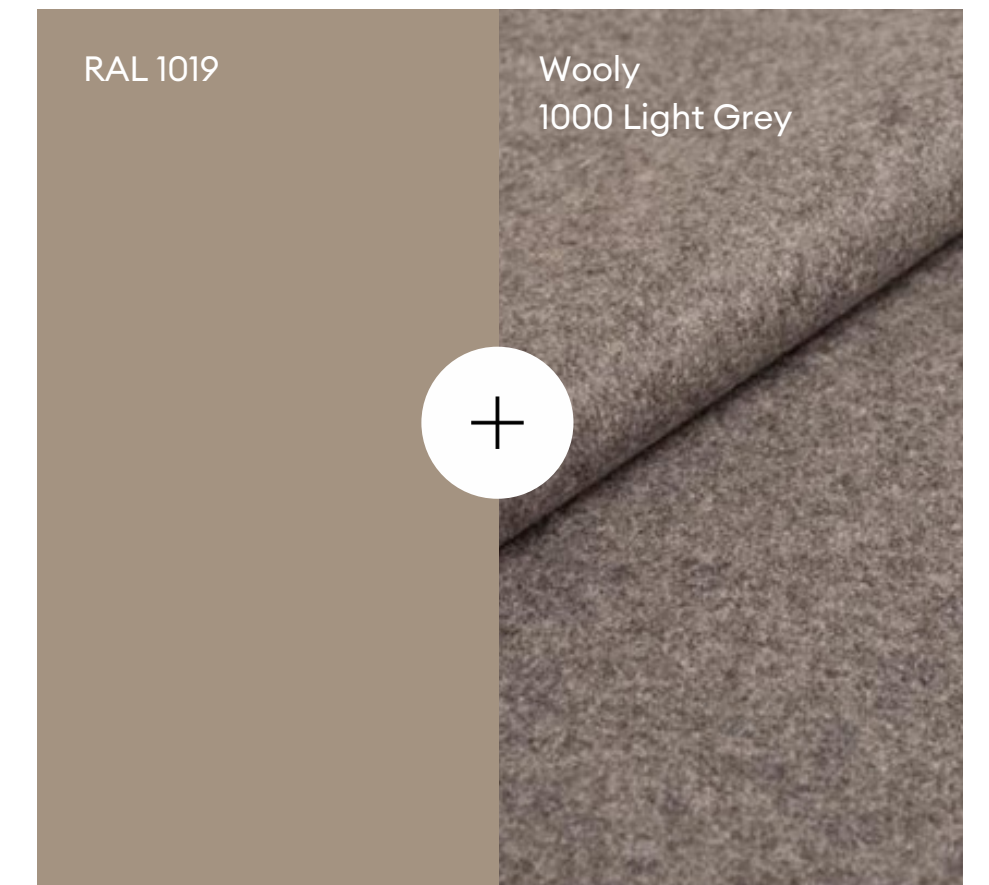
Martindale > 100 000
High durability for demanding use.



Standard colors



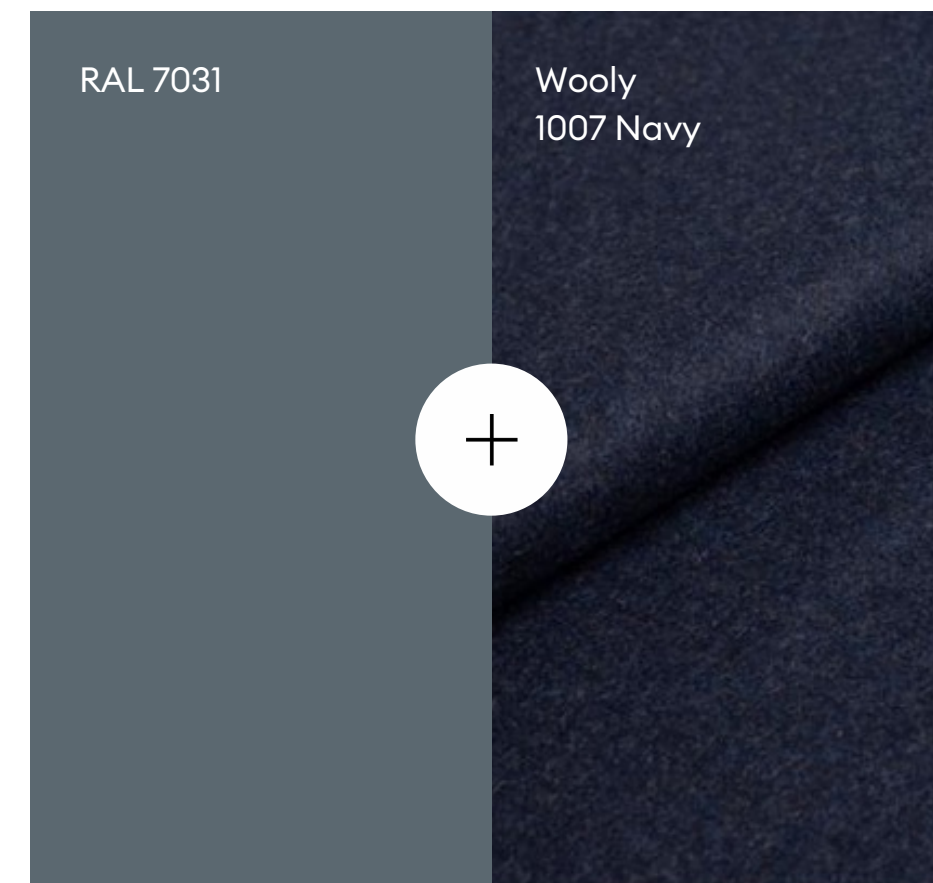
Soft contrast



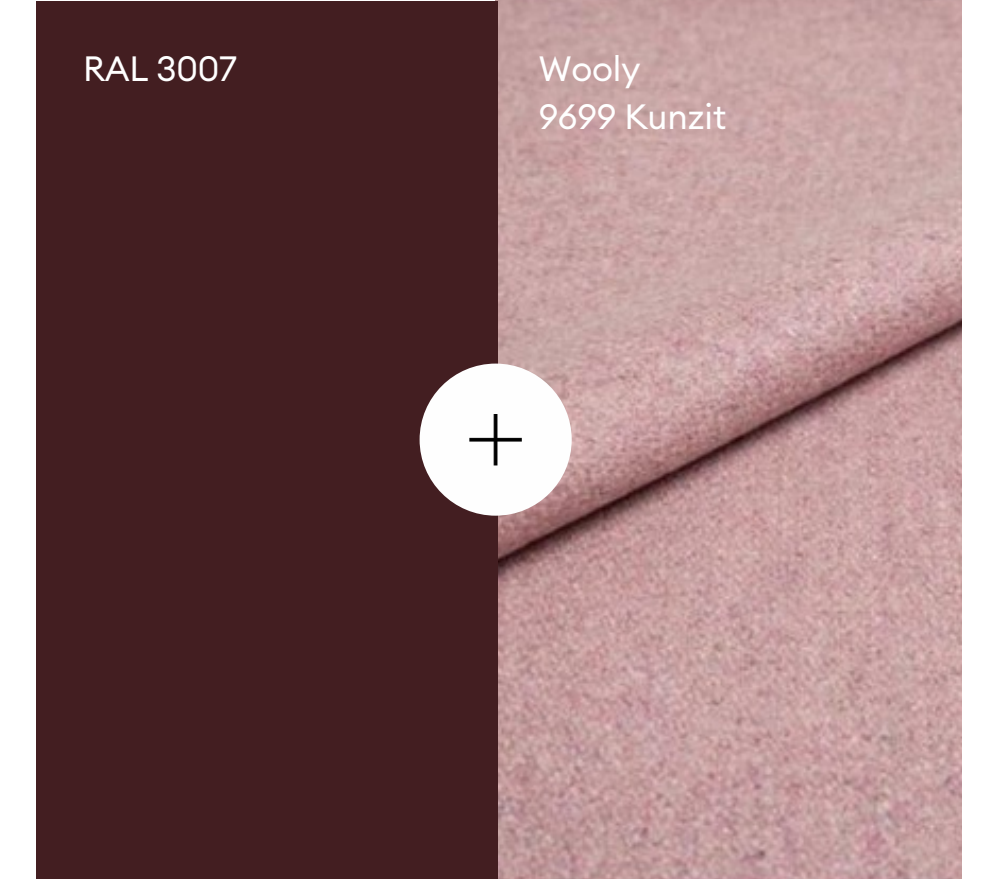
Sand



Forest green



Blue grey



Dusty rose

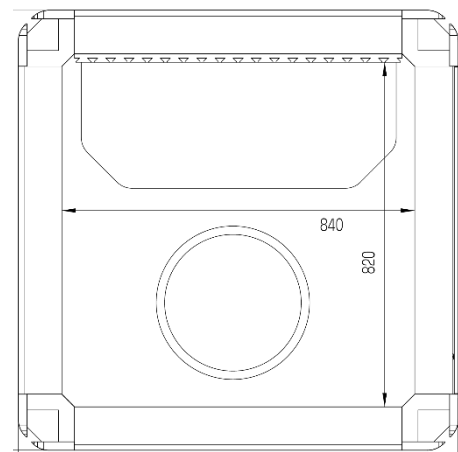
Octacell phone booths



Phone booths

1X1 (1,1 m²)

Single person phone booth



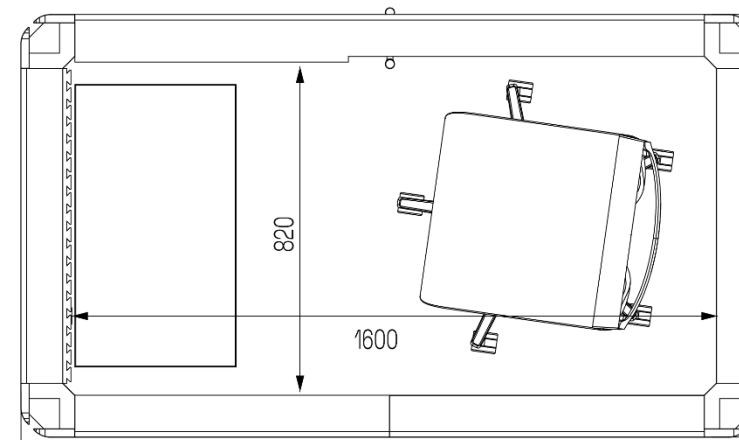
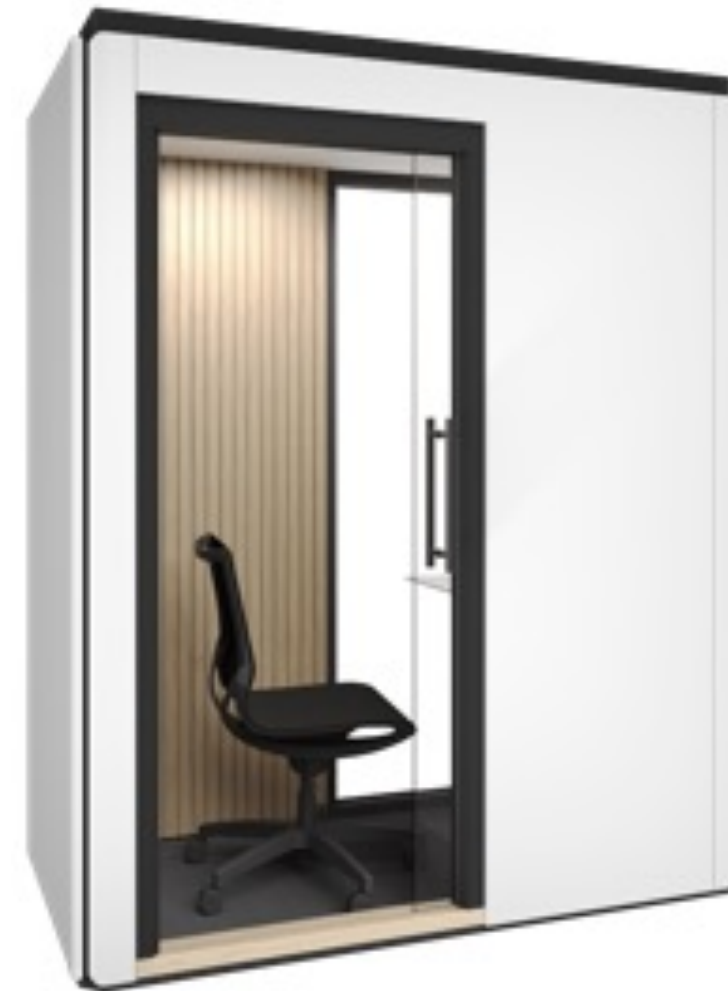
Outer dimensions:

1050 mm x 1050 mm x 2230 mm

Weight: 250 kg
228 kg/m²

2X1 (1,9 m²)

Single person phone booth



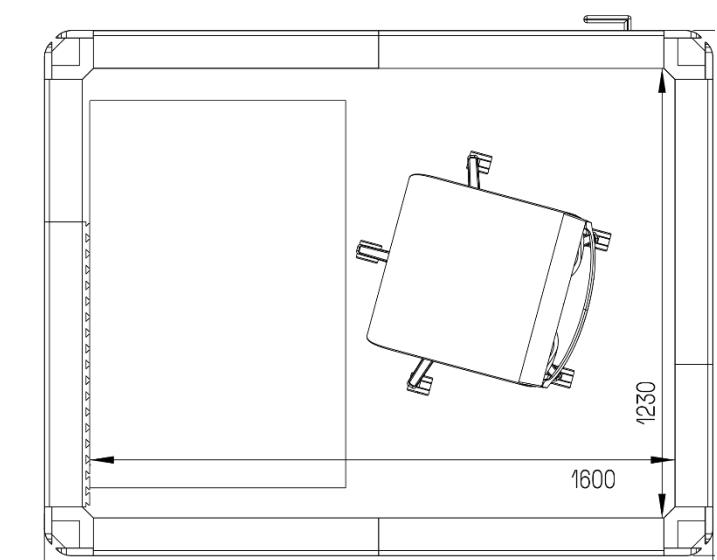
Outer dimensions:

1830 mm x 1050 mm x 2230 mm

Weight: 470 kg
248 kg/m²

2X1,5 (2,6 m²)

Single person phone booth



Outer dimensions:

1830 mm x 1440 mm x 2230 mm

Weight: 520 kg
200 kg/m²



Visit our showrooms and see the Octacell products in Helsinki, Tampere or Sweden

Welcome!



Octacell Munkkivuori
Huopalahdentie 24
00350 Helsinki

Octacell Kamppi
Kansakoulukatu 3
00100 Helsinki

Octacell Tampere
Satakunnankatu 18 A
33210 Tampere

Octacell Stockholm
Birger Jarlsgatan 57
113 56 Stockholm

octacell

Certificates and Environmental Standards



Sound Insulation

Sound-absorbing panel made from recycled polyester. The product is certified with the Allergy Label of the Finnish Allergy, Skin and Asthma Federation.

ISO 3795, FMVSS 302
M1 emission classification



Upholstery fabric

70 % recycled wool, 25 % Polyamide, 5 % blended fibres o REACH
SFS-EN ISO 14184-1:en
(GRS) Global Recycled standard



Carpet – Interface Heuga

M1, GUT, GUI Standard, The product has the right to use the Allergy Label granted by the Finnish Allergy, Skin and Asthma Federation

BREEAM, BRE Green guide ratings, LEED US and International, HQE, DGNB Germany



Paint

Waterborne
Producer: Sherwin-Williams

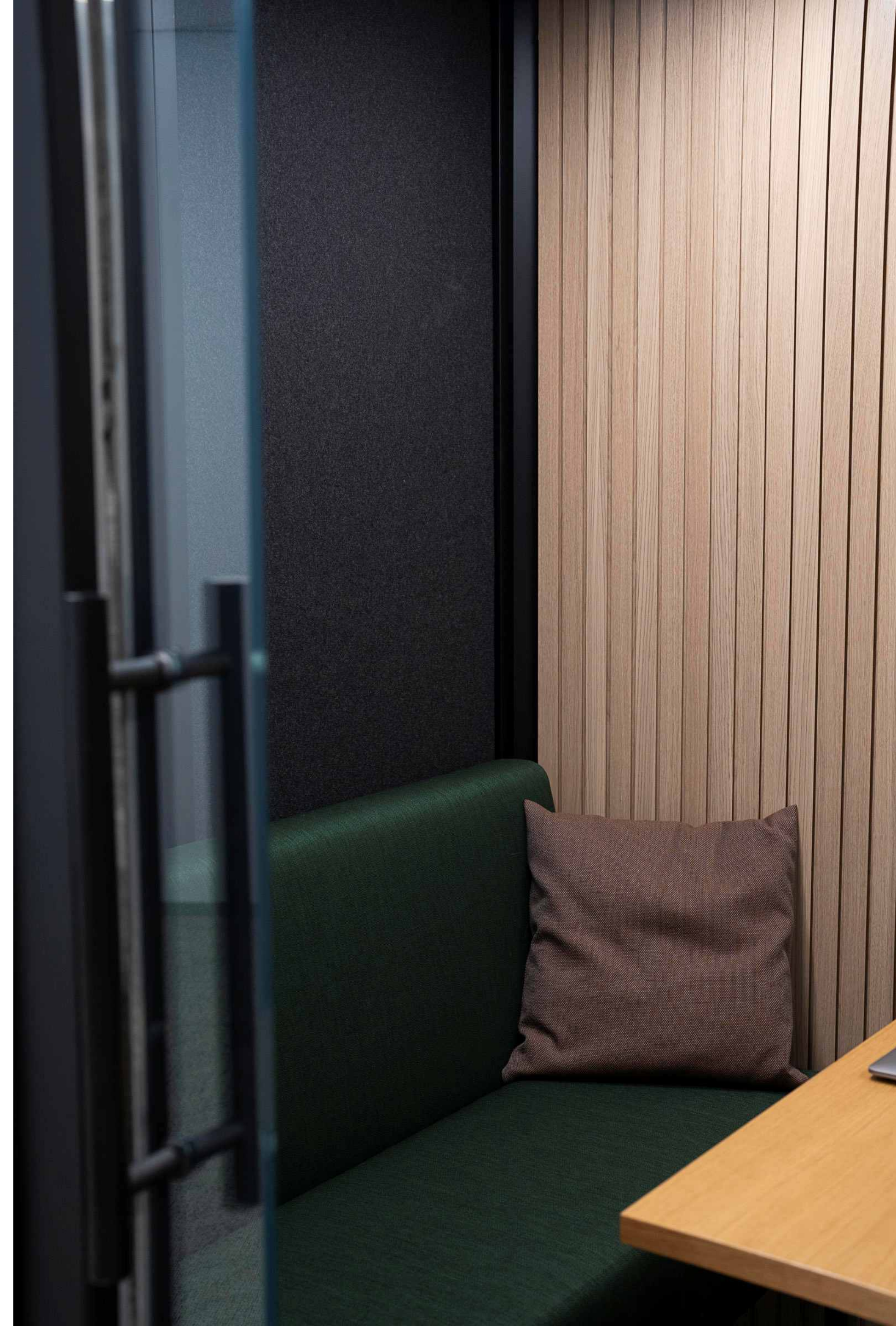


Frame

Mdf-panel Kronospan

- PEFC and FSC
- ISO 9001 and 14001
- All Kronospan wood panel products comply with the European E1* safety standard

Birch plywood Koskisen or Metsä Wood
ISO 9001 and 14001
PEFC and FSC o E1





octacell

Soundproof workrooms
that scale.

Octacell Oy

+358 20 730 5380

sales@octa.fi

Huopalahdentie 24, FI00350 Helsinki